

17.5 Low-Loader

- 10 Stud 225 pcd
- Compact Bearing
- 300 x 200 Brake
- ABS/EBS Sensor Standard
- Auto Slack Adjustor
- Outboard Mounted Drum



Contact us for pricing and enquiries

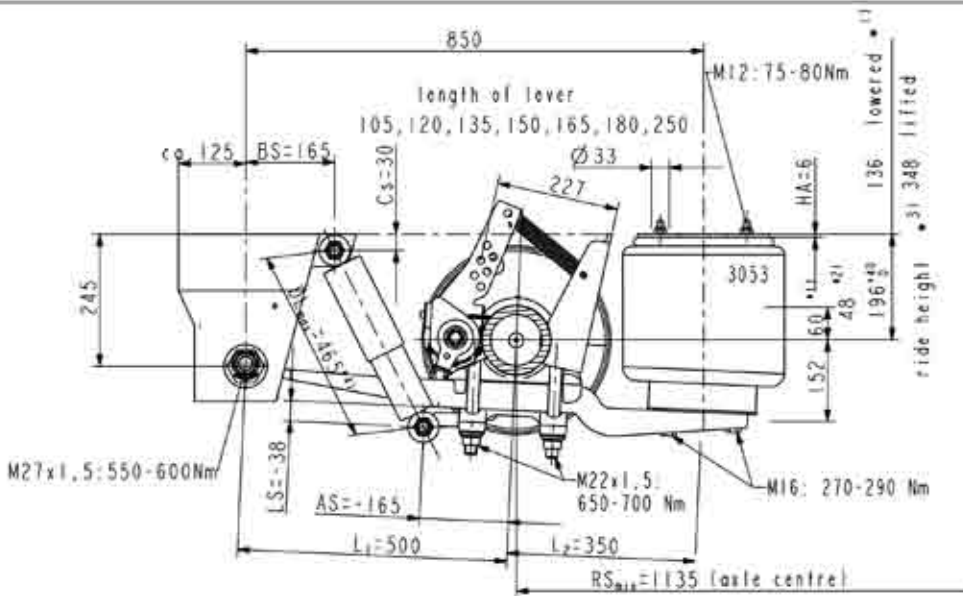


NZH

TRANSPORT
HYDRAULIC
SOLUTIONS

GKH2 105 TKLRM 50/9.1

ride height FH: 196-236 mm



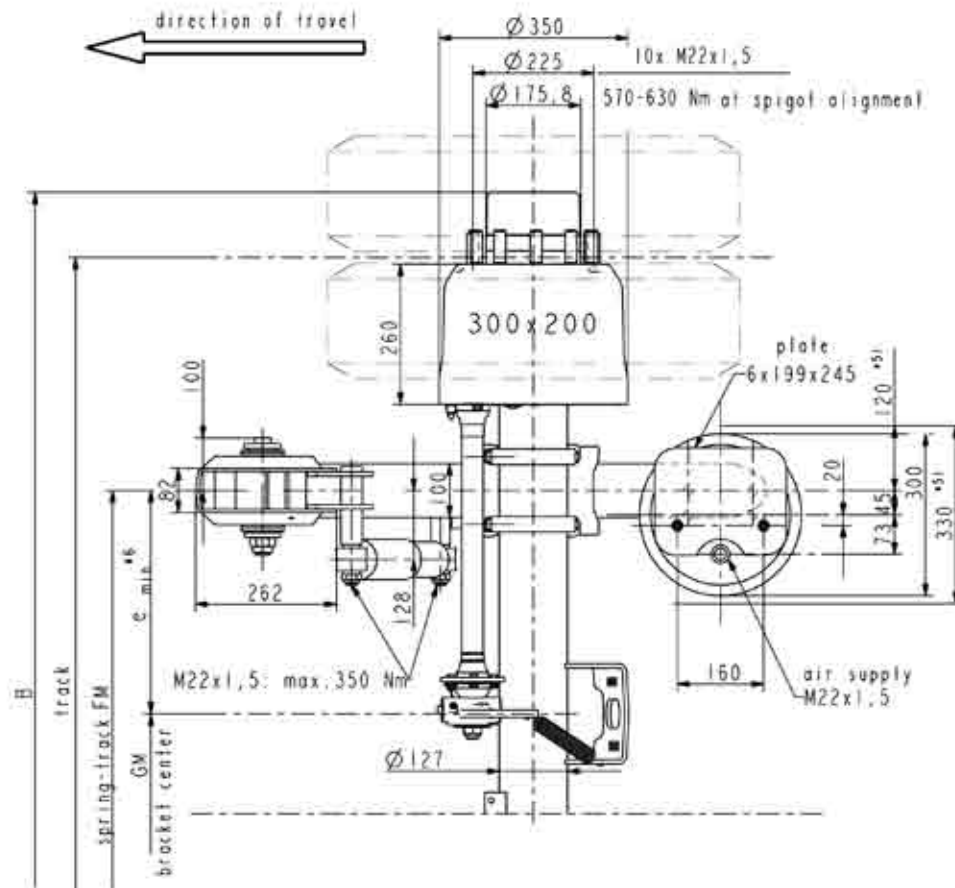
axle load:

max. 9000 kg at 105 km/h

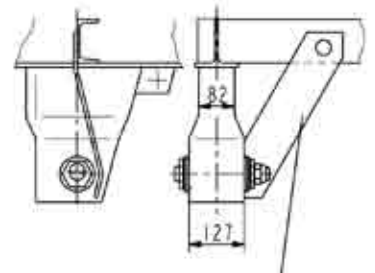
(depend on spring track and centre of gravity height)

lift in total: 200 mm at $FH_{OL}^{*2)}$

- * 1) laden, without air
- * 2) unladen, without air
- * 3) $FH_{Lift}=248$ mm
minimum acceptable height with axle lift
- * 4) Just for raising and lowering (HS locking valve to be adjusted that air supply is stopped at $DL_{max}=465$.
- * 5) space requirement
- * 6) e_{min} for brake-cylinder 30 = 280mm
for tritestop-cylinder = 315mm



Recommendation side support



not part of normal delivery

test report: TDB 0574

No.	track	GM	B	FM	order no.		weight kg (±2%)	recommendation for twin mount
					AGS	ABS+AGS		
1	1875	269	2117	965	5 105 7 139	5 105 7 140	448	245/170 R17.5 *
2								
3								
4								
5								
6								
7								
8								
9								

OBSERVE INSTALLATION INSTRUCTIONS !!!

gigant

TRENKAMP & GEHLE GmbH
D-49413 Dinklage

* Take care of sufficient tyre load capacity

Draw.-no.: 9915-441

Index
1

07041901

19.04.2007

Call Free 0800-22-55-69

