

19.5 Drum

- 8 Stud 275 pcd
- Compact Bearing
- 360 x 200 Brake
- ABS/EBS Sensor Standard
- Auto Slack Adjustor
- Outboard Mounted Drum



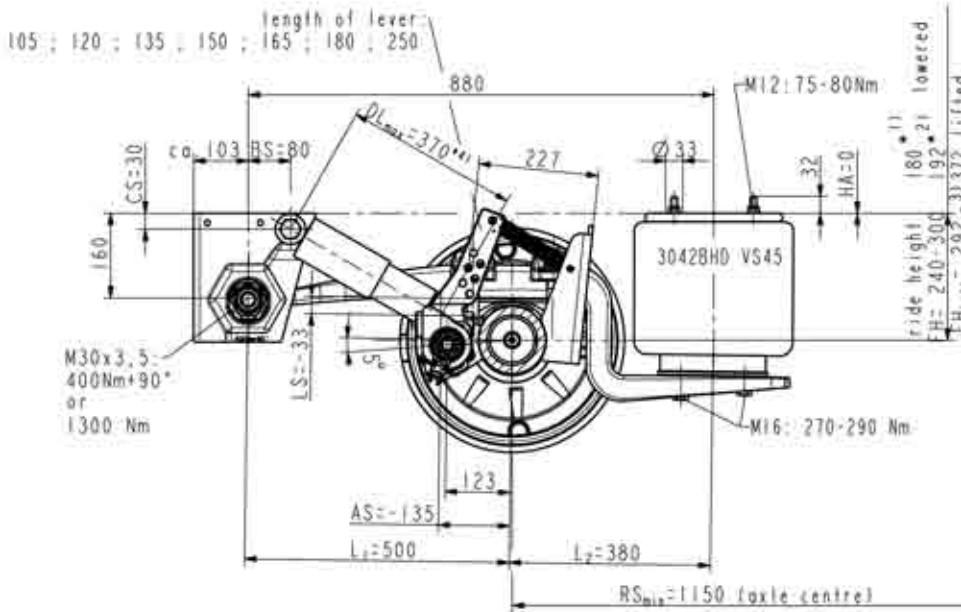
Contact us for pricing and enquiries



NZH

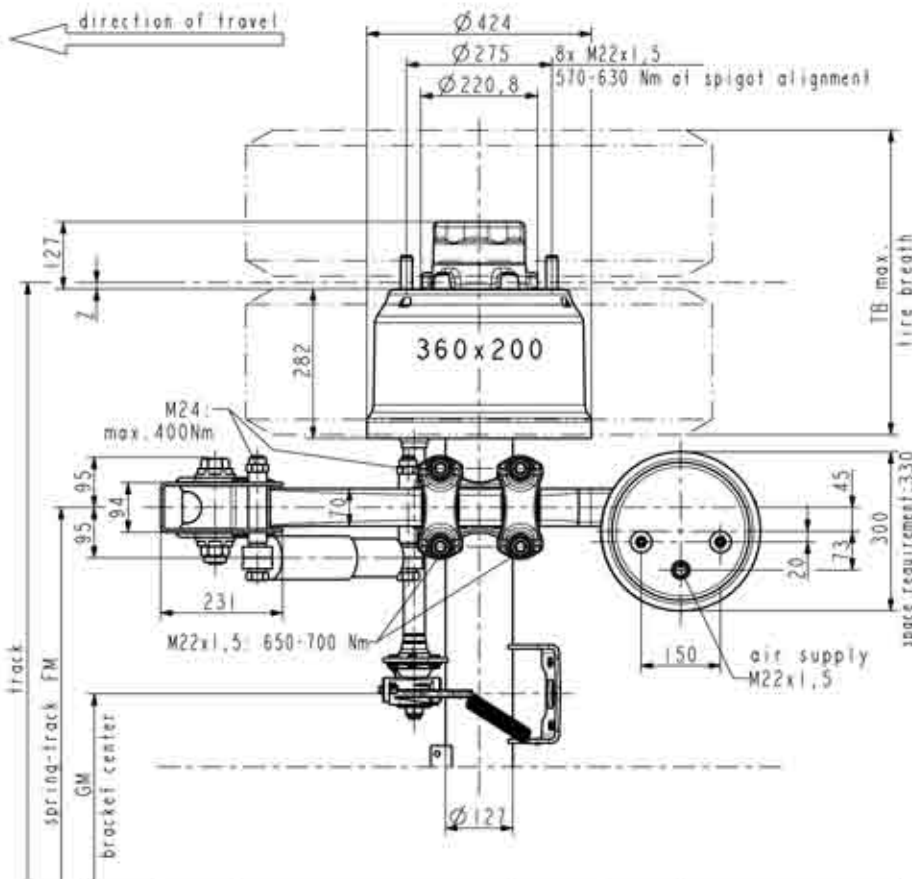
TRANSPORT
HYDRAULIC
SOLUTIONS

GKH2 105 NKLRT FB70 240 HD VS45 ride height FH: 240-300 mm

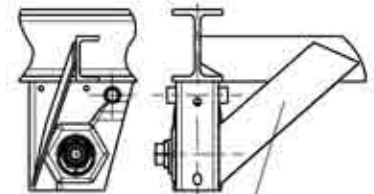


axle load:
max. 9000 kg at 105 km/h
(depend on spring track and centre of gravity height)

- lift in total: 180 mm at FH_{ol}^{*)2)}
- * 1) laden, without air
- * 2) unladen, without air
- * 3) FH_{Lift}=292 mm
minimum acceptable height with axle lift
(theoretical distance Tire-Road = 100mm)
Axle lift no.: 00631198
- * 4) Just for raising and lowering (HS) locking valve to be adjusted that air supply is stopped at DL_{max}=370mm.



Recommendation side support
Details see Installation Instructions



not part of normal delivery

reinforced components for heavy duty model:
axle tube (16mm)
spring reinforced
bellow with piston base (VS45)

Test report:
TDB 0603

No.	track	GM	FM	order no.		weight kg (±2%)	TB max.	recommendation for twin mount
				AGS	AGS+ABS			
1	1830	243	980	8 105 7 006	8 105 7 007	484	580	265/70 R19,5
2								
3								
4								
5								
6								
7								
8								
9								

OBSERVE INSTALLATION INSTRUCTIONS !!!

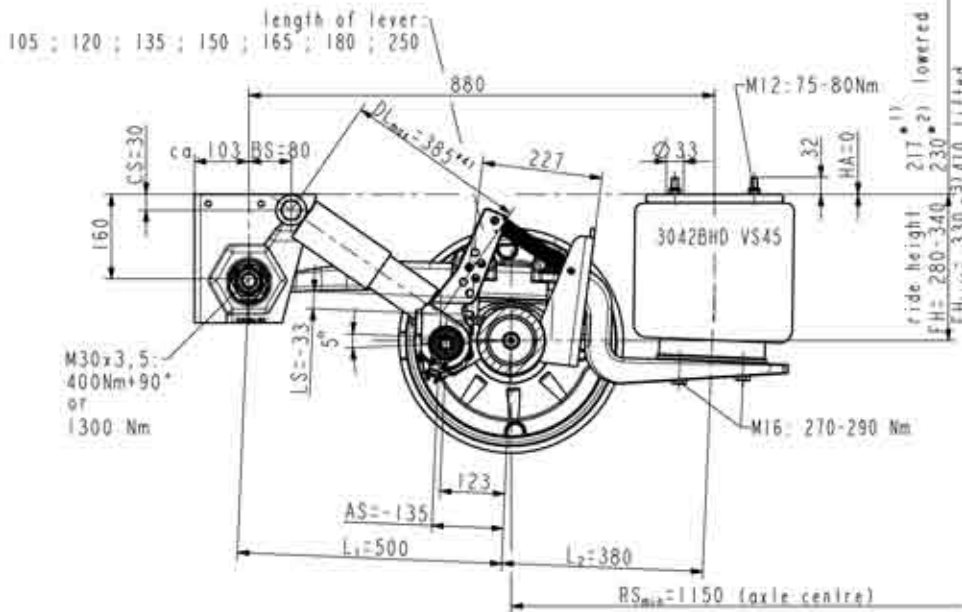
gigant

TRENKAMP & GEHLE GmbH
D-49413 Dinklage

Draw.-no.: 73.017-4

Index
1

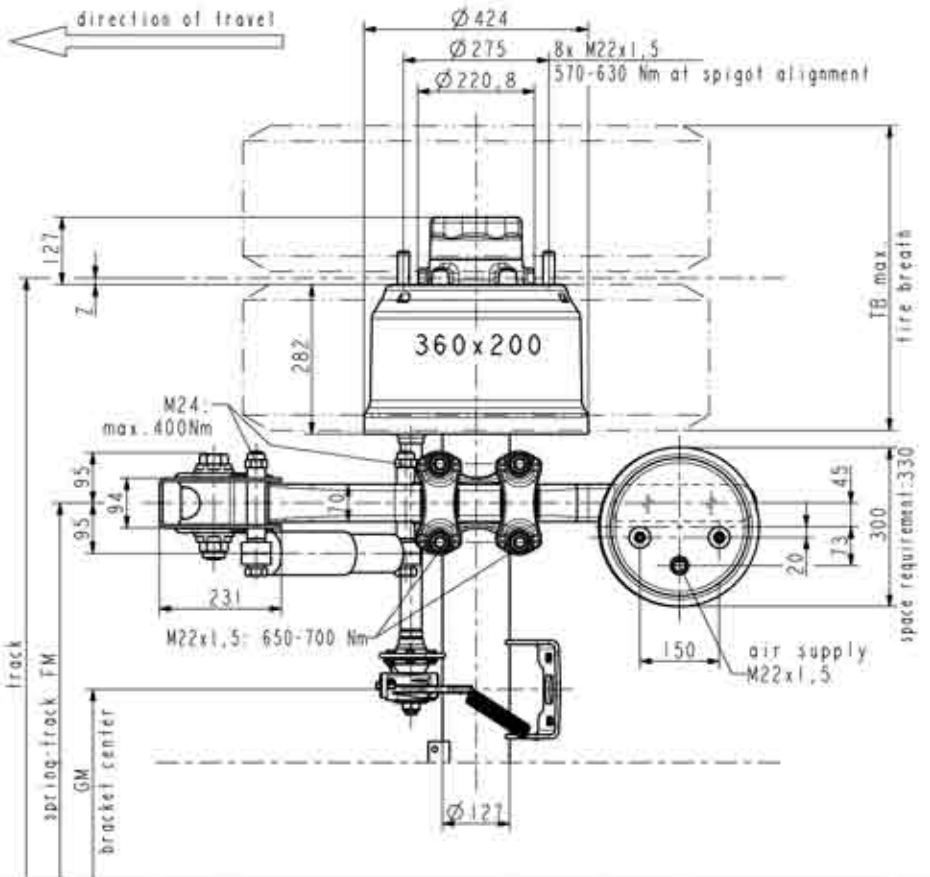
GKH2 105 NKLRT FB70 280 HD VS45 ride height FH: 280-340 mm



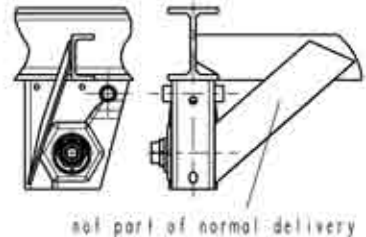
axle load:
 max. 9000 kg at 105 km/h
 (depend on spring track and centre of gravity height)

lift in total: 180 mm at FH_{OL}^{*21}

- * 1) laden, without air
- * 2) unladen, without air
- * 3) $FH_{Lift} = 330$ mm
 minimum acceptable height with axle lift (theoretical distance Tire-Road = 100mm)
 Axle lift no.: 00631208.
- * 4) Just for raising and lowering (HS) locking valve to be adjusted that air supply is stopped at $DL_{max} = 385$ mm.



Recommendation side support
 Details see Installation Instructions



reinforced components for heavy duty model:
 axle tube (16mm)
 spring reinforced
 bellows with piston base (VS45)

Test report:
 TDB 0603

No.	track	GM	FM	order no.		weight kg ($\pm 2\%$)	TB max.	recommendation for twin mount
				AGS	AGS+ABS			
1	1830	243	980	8 105 7 002	8 105 7 003	484	580	265/70 R19,5
2								
3								
4								
5								
6								
7								
8								
9								

OBSERVE INSTALLATION INSTRUCTIONS !!!



Draw.-no.: 73.018-4 Index 1

Call Free 0800-22-55-69

