

NZH

**TRANSPORT
HYDRAULIC
SOLUTIONS**



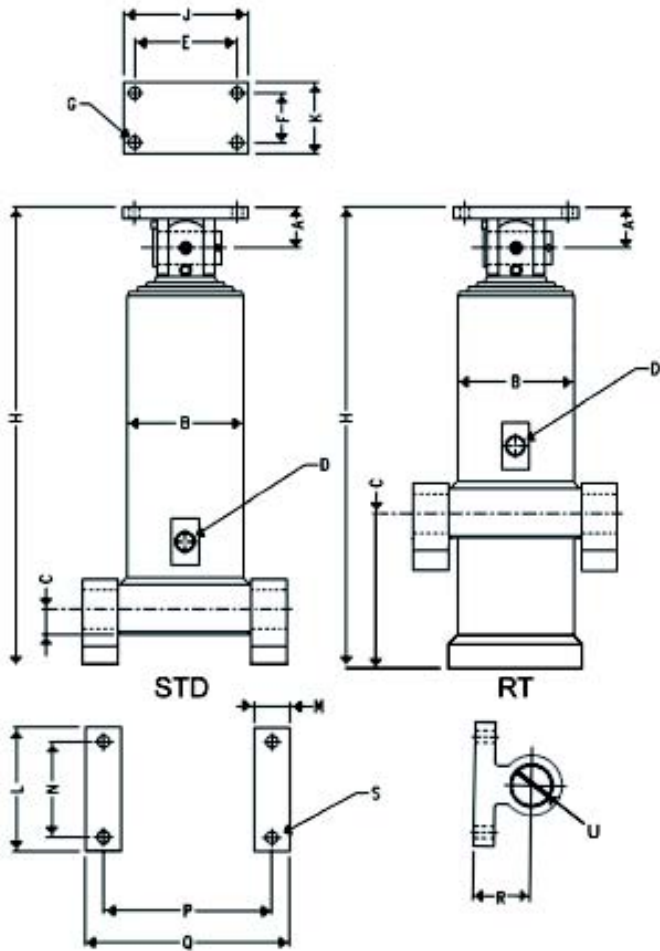
DELTA

TT SERIES 2000

Call NZH on 0800 22 55 69

www.nzh.co.nz

TT SERIES 2000



		MODEL						
		45TT	55TT	65TT	65TT /RT	77TT 4 Stg	77TT 5 Stg	77TT /RT
STANDARD DIMENSIONS	A	40	49	49	49	57	49	49
	B	140	140	165	165	197	197	197
	C	30	35	35	295	35	35	295
	E	85	146	146	146	146	146	146
	F	85	70	70	70	70	70	70
	G	M12	M12	M12	M12	M12	M12	M12
	J	117	178	178	178	178	178	178
	K	117	100	100	100	100	100	100
	L	140	150	155	155	215	215	215
	M	50	50	50	50	70	70	70
	N	105	95	115	95	165	165	165
	P	188	242	242	242	305	305	305
	Q	238	292	292	292	375	375	375
	R	65	110	80	110	90	90	90
	S	14	17	17	17	20	20	20
	U	44	57	57	57	57	57	57

PORT SIZE 'D' -35TT, 45TT, 55TT, 65TT = 1 1/16" UNO
 -77TT = 1 5/16" UNO

Standard Features:

- ✓ All stages hard chrome plated for greater life.
- ✓ All stages top sealing using technologically advanced twin lip seal.
- ✓ New "flapped" wiper eliminates moisture entry into cylinder.
- ✓ No gland nuts or base plug to come loose or jam.
- ✓ Clip in base for ease of assembly and servicing.
- ✓ Max. operating pressure 21 Mpa (3000 psi). Working pressure 17.5 Mpa (2500 psi).
- ✓ Bleed plug on top of cylinder.

Options:

- ✓ Alternate footmounts available on request.
- ✓ Raised trunnion.
- ✓ Bore sealed on last stage.
- ✓ Double acting on last stage.

MODEL	Ram Stroke mm	Tipping Capacity 48°	Pivot Length mm	Swept Volume litres	Ram Mass kg	Height H mm
S2-55TT-3-3.0 OP9&2	3000	20 t	3780	25	91	1409
S2-55TT-3-3.26 OP9&2	3260	20 t	4110	27	103	1495
S2-55TT-3-3.6 OP9&2	3600	20 t	4540	30	107	1607
S2-55TT-3-4.2 OP9&2	4200	20 t	5290	35	122	1807
S2-65TT-4-4.28	4280	25 t	5380	43	132	1452
S2-65TT-4-4.68	4680	25 t	5880	47	148	1552
S2-65TT-4-4.68 RT260	4680	25 t	5880	47	148	1507
S2-65TT-4-5.00	5000	25 t	6280	50	156	1631
S2-65TT-4-5.00 RT260	5000	25 t	6280	50	156	1586
S2-65TT-4-5.60	5600	25 t	7030	56	171	1780
S2-77TT-4-5.06	5060	32 t	6350	71	206	1666
S2-77TT-4-5.6	5600	32 t	7020	79	230	1798
S2-77TT-5.5.505	5505	32 t	6900	75	205	1495
S2-77TT-5.5.505 RT260	5505	32 t	6900	75	205	1440
S2-77TT-5-6.555	6555	32 t	8100	78	238	1705

Non Standard Cylinders Available On Request