

NZH

**TRANSPORT
HYDRAULIC
SOLUTIONS**



 **HARSH®**

**HARSH E50-L125 STABILISED
TIPPING GEAR**

Call NZH on 0800 22 55 69

www.nzh.co.nz

HARSH E50-L125 TIPPING GEAR

	Tipping Capacity (tonne)	Body Length (mm)
E50	11.5	4000
F60	12.5	4500
G70	15	5000
H80	17.5	5000
H80N	17.5	5000
J100	22.5	5500
J100N	22.5	5500
K110	25.5	6500
K110N	25.5	6500
L120	25.0	7500
L125	32.0	8000

Features:

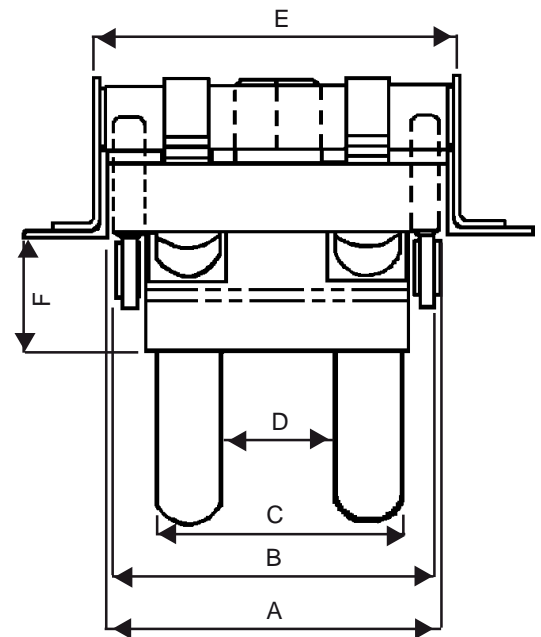
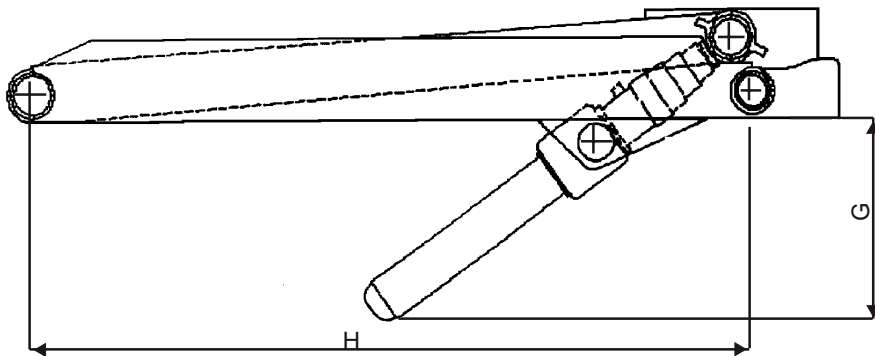
- ✓ Double acting up to H80.
- ✓ High polished hard chrome cylinders.
- ✓ Fast tipping cycle.

Benefits:

- ✓ Vehicle/body versatility.
- ✓ Dynamic stability in tough environments.
- ✓ Built and tested to last longer.
- ✓ Ease of maintenance.

Capacity and length are averages based on:

- Mount length providing 45° tipping angle.
- Diminishing load.
- 200mm tail hinge overhang.
- Maximum operating pressure.



DIMENSIONS

	E50	F60	G70	H80	H80N	J100	J100N	K110	K110N	L120	L125
A	710	710	710	710	610	686	584	686	584	584	584
B	578	546	591	655	560	619	569	619	569	569	683
C	406	414	462	530	435	489	432	489	432	432	546
D	222	224	265	305	210	2602	203	260	203	203	
E*	750	750	750	750	650	750	650	750	650	650	650
F	145	145	145	145	145	200	200	225	225	225	225
G1	460	502	480	510	510	480	480	510	510	510	510
G2	610	675	680	710	710	605	605	685	685	685	685
H	1010	1222	1246	1246	1246	1448	1448	1886	1886	2146	2146

* This dimension is a minimum.

G1 Rams at rest. (See swing diagram).

G2 Rams through full swing (See swing diagram).

Note:

Dimension 'A' can be increased to reduce the amount of chassis flange overhang by pulling the chassis brackets outwards as required up to a maximum of 50mm a side.