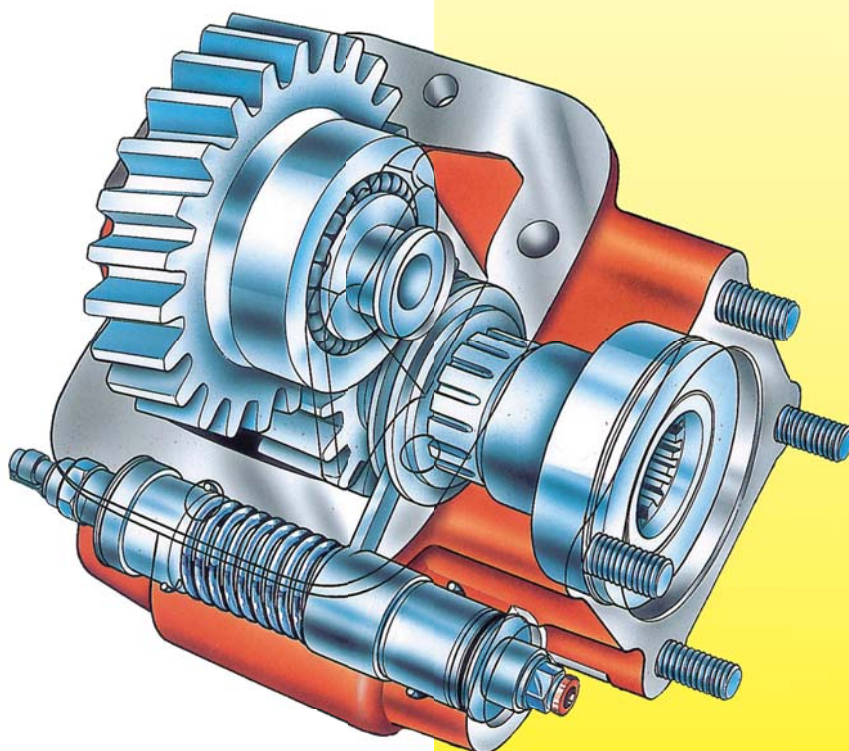


**NZH**

**TRANSPORT  
HYDRAULIC  
SOLUTIONS**



**HYDROCAR**

**POWER TAKE OFF**

**Call NZH on 0800 22 55 69**

**[www.nzh.co.nz](http://www.nzh.co.nz)**

# POWER TAKE OFF

The selection of the correct PTO is imperative for the optimum operation of truck equipment. Hydrocar offer a wide range of PTO's designed to suit all world-wide industrial vehicles.

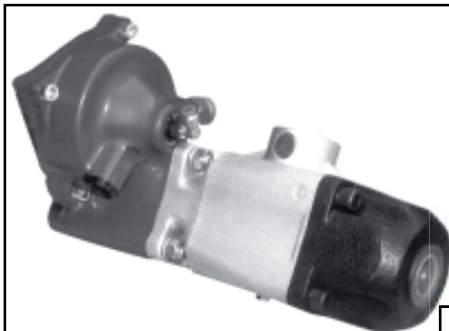
All PTOs are designed for direct fitment of hydraulic pumps or alternatively shaft driven applicatons.

Features:

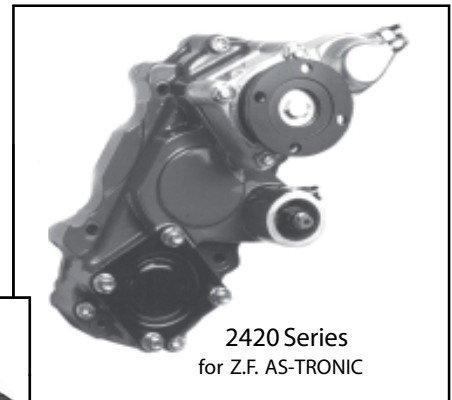
- ✓ Side mounted.
- ✓ Rear mounted.
- ✓ Cast iron construction.
- ✓ Constant mesh.
- ✓ Split shaft power transfer gearbox.
- ✓ Heavy duty PTO hi-torque application.
- ✓ High load bearings.
- ✓ Standard mounting kits included.

Control options:

- ✓ Pneumatic.
- ✓ Mechanical.
- ✓ Electric.



2264 with PE 40 SE  
for EATON 6 & 9 speed



2420 Series  
for Z.F. AS-TRONIC



2000 Series



2706 with NF 80 S/SE  
for MERCEDES ACTROS



15 Series  
with PE 60  
for SCANIA