

NZH

TRANSPORT
HYDRAULIC
SOLUTIONS



HYDROCAR

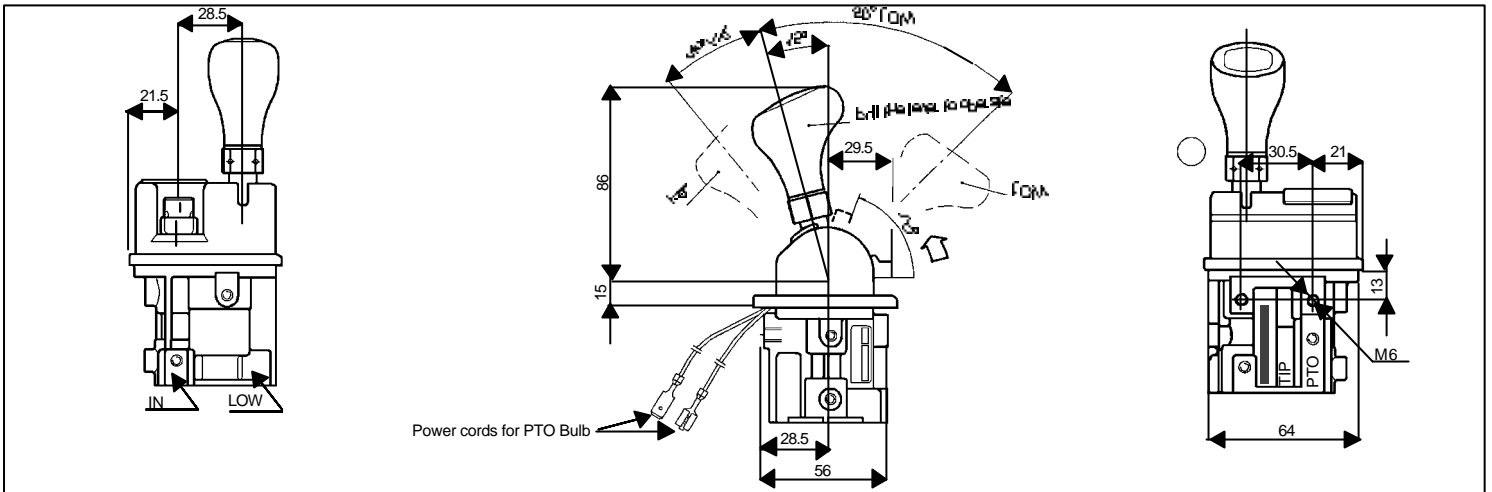
CAB CONTROL SERIES 2000

Call NZH on 0800 22 55 69

www.nzh.co.nz

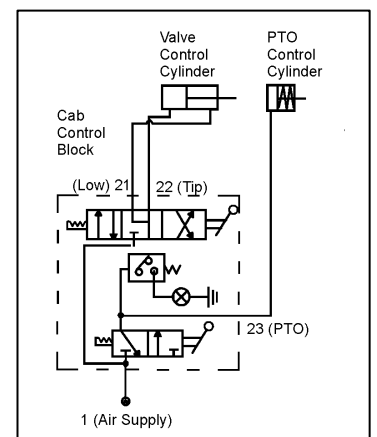
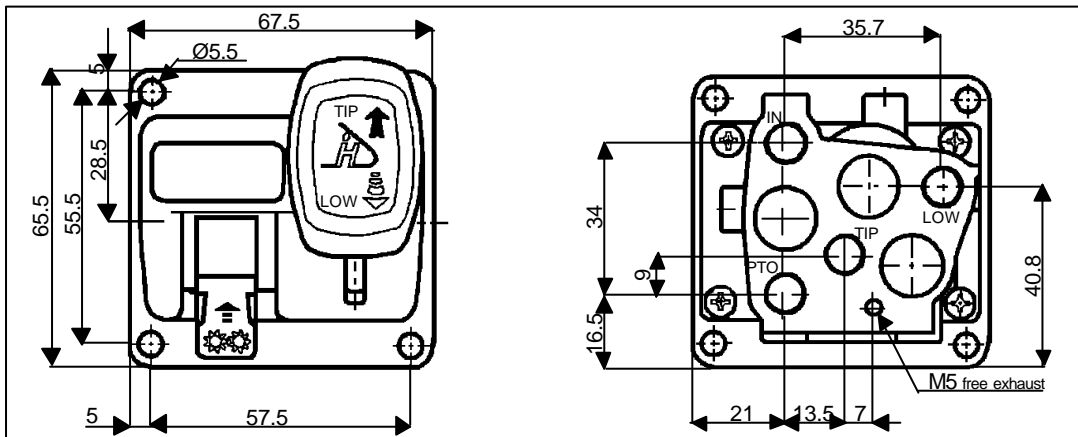
CAB CONTROLS

SERIES 2000



Features:

- ✓ Fully proportional control.
- ✓ Very strong/robust construction.
- ✓ Mechanically activated pressure switch.
- ✓ Positive lock, Raise/Lower/Hold.



The Series 2000 Cab Control is available with or without PTO kick-out and PTO switch. Accessories to the Cab Control are the **Mounting Box** and **Mounting Flange**.

- The mounting flange is ideal for dash or console mounting on compact cabs such as European and Japanese trucks.
- The mounting box offers the versatility of vertical or horizontal use of the controls, and can be sandwiched together for double bank configuration. The mounting box also has a provision for an auxiliary air switch which could be used for a tail door trip or change-over valve activation.

