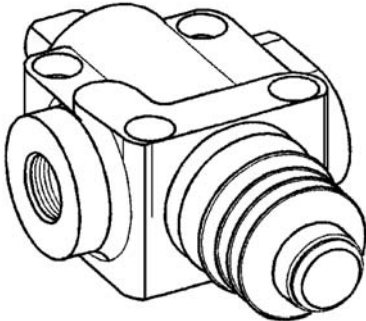


# NZH

## TRANSPORT HYDRAULIC SOLUTIONS

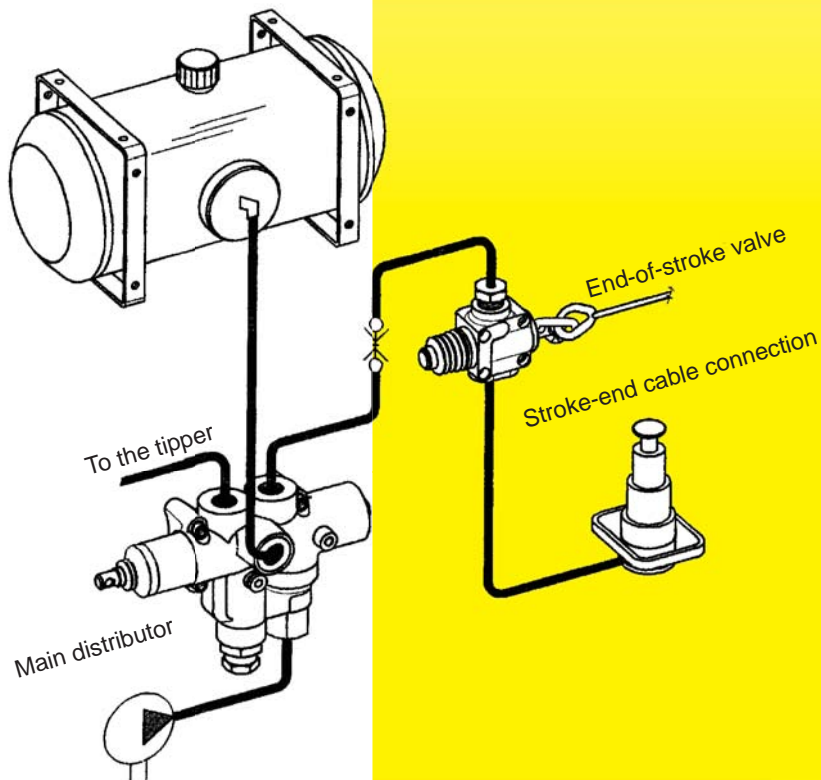
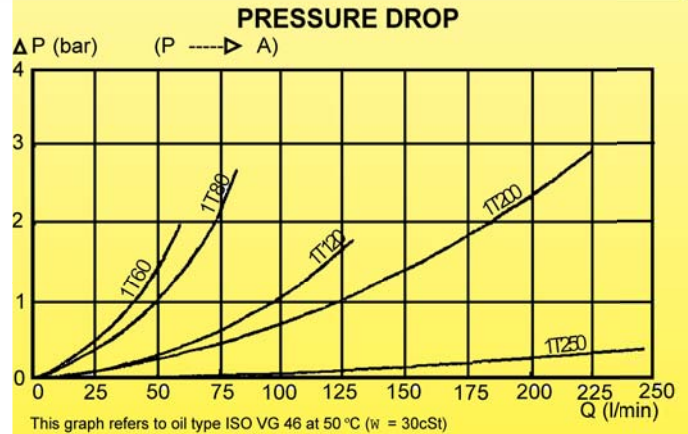
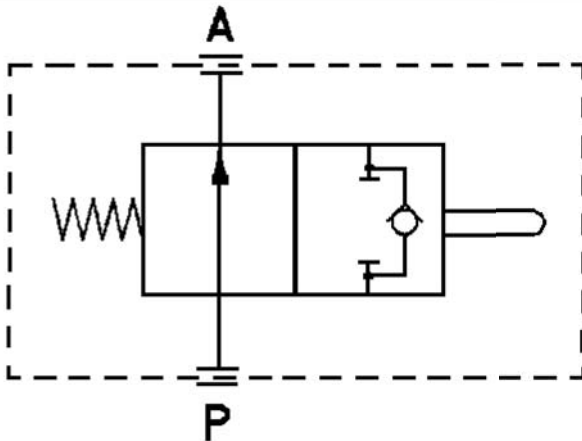
### END OF STROKE VALVE



Two position mechanically operated end-stroke valve for tipper vehicle (trailer). It stops the flow to the cylinder without sending it to the tank.

On-line mounting.

Provided with a built-in check valve and flange connection to chassis. Several flow rate models are available.



**Call NZH on 0800 22 55 69**  
[www.nzh.co.nz](http://www.nzh.co.nz)