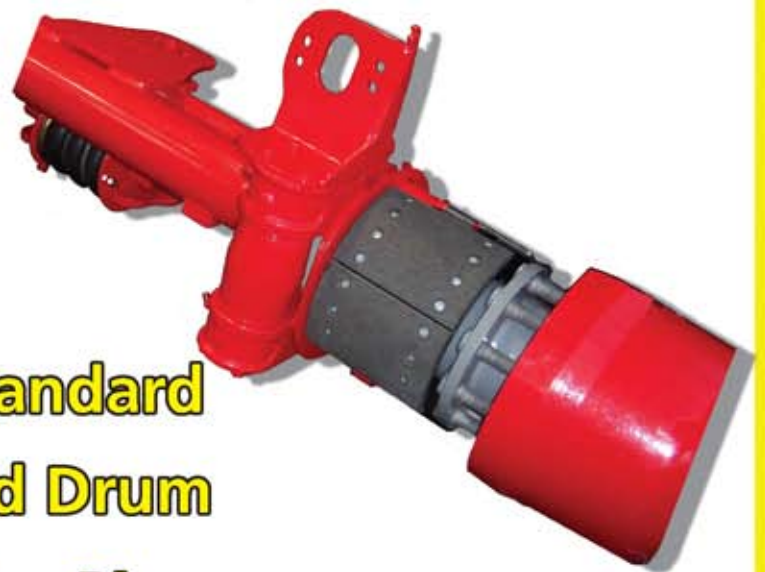


## 17.5 Low-Loader Steering

- 10 Stud 225 pcd
- Compact Bearing
- 300 x 200 Brake
- ABS/EBS Sensor Standard
- Outboard Mounted Drum
- Large Diameter King Pin
- Steering Dampner Standard



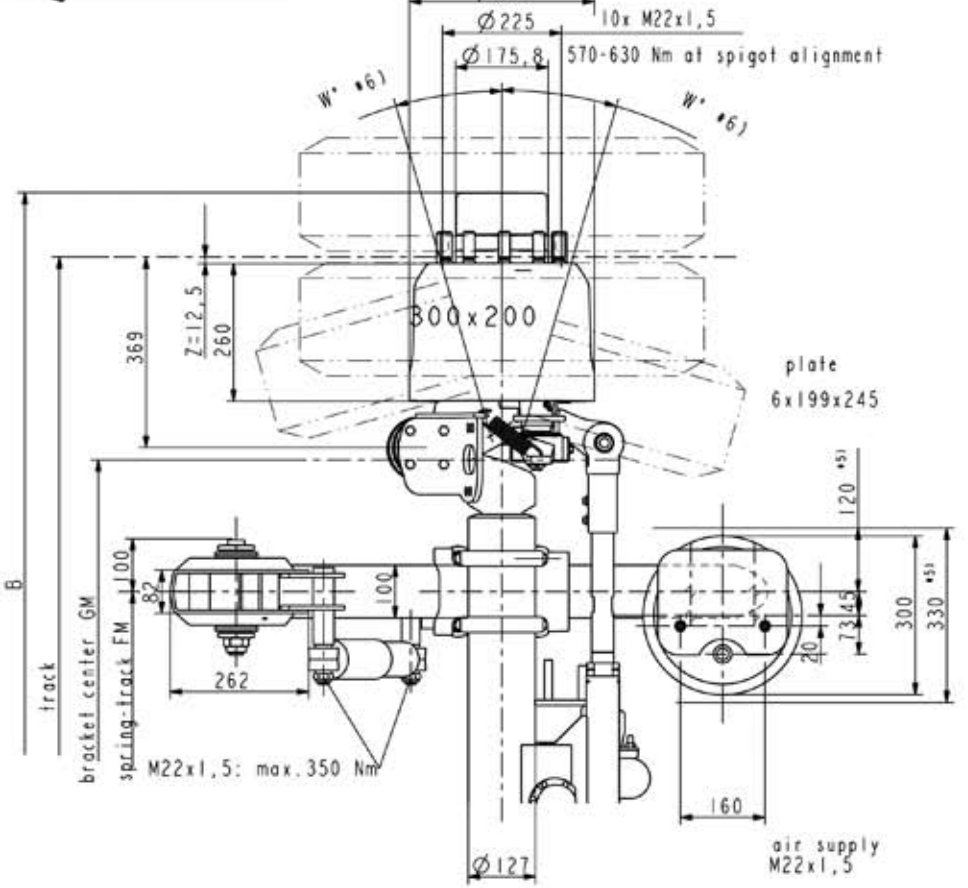
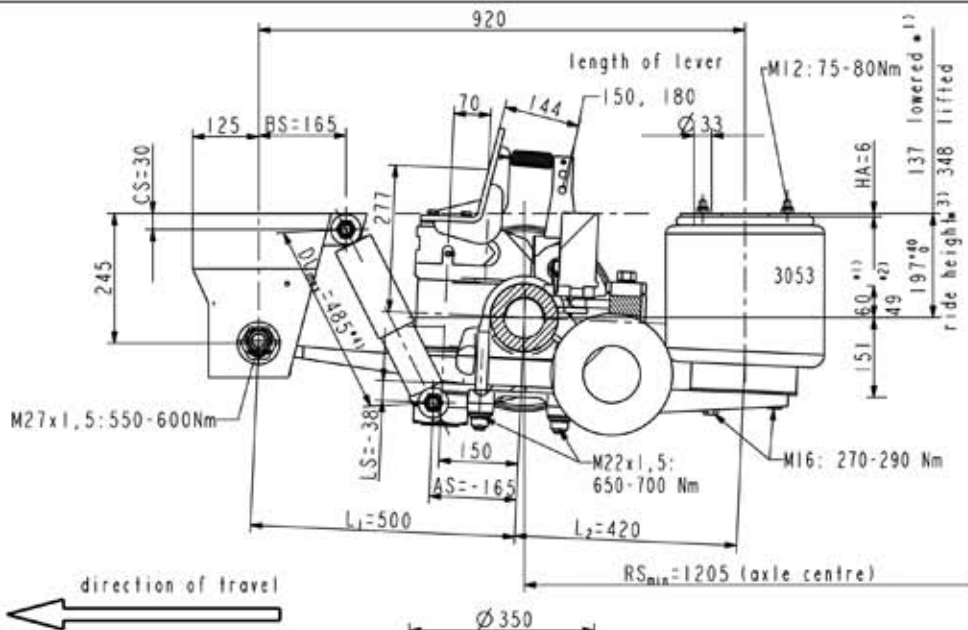
Contact us for pricing and enquiries



**NZH**

TRANSPORT  
HYDRAULIC  
SOLUTIONS

# GENKH2 105 TKLRM 50.42/9. ride height FH: 197-237 mm



**axle load:**  
 max. 9000 kg at 105 km/h  
 (depend on spring track and centre of gravity height)

lift in total: 200 mm at FH<sub>OL</sub> \*2)

- \* 1) laden, without air
- \* 2) unladen, without air
- \* 3) FH<sub>Lift</sub> = 248 mm  
 minimum acceptable height with axle lift
- \* 4) Just for raising and lowering (HS) locking valve to be adjusted that air supply is stopped at DL<sub>max</sub> = 485.
- \* 5) space requirement
- \* 6) Reducing of the steer angle has to be done by the trailer manufacturer



test report: TDB 0574

No.	track	GM	B	FM	W*	order no.		weight kg (±2%)	recommendation for twin mount
						AGS	ABS+AGS		
1	1875	1104	2119	730	19	5 105 0 265	5 105 0 266	633	245/70 R17,5 *
2									
3									
4									
5									
6									
7									
8									
9									

**OBSERVE INSTALLATION INSTRUCTIONS !!!**

**gigant**

**TRENKAMP & GEHLE GmbH**  
 D-49413 Dinklage

Draw.-no.: 9915-460

Index 0

\* Take care of sufficient tyre load capacity